

HXFA1091G-2W-XXdB Fixed Attenuator

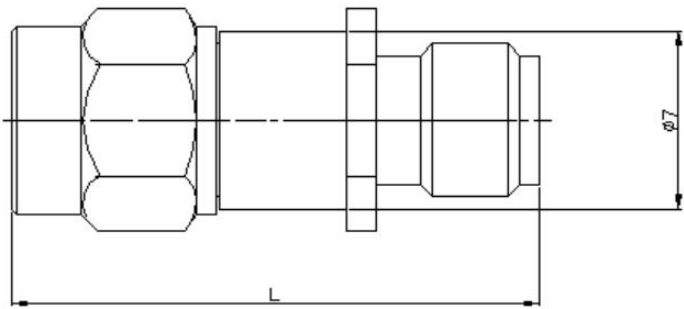
1. Description

ID	Items	Specifications			
1-1	Type	Fixed Attenuators			
1-2	Frequency Range	DC ~ 18GHz			
1-3	Attenuation Range	1-10 dB	20 dB	30 dB	40 dB
1-4	Attenuation Accuracy	±1.0	±1.2	±1.4	±1.6
1-5	Power Handling	2W			
1-6	VSWR	≤1.35			
1-7	Impedance	50Ω			
1-8	Input/Output Connectors	SMA-MF			

2. Environmental Specifications

ID	Items	Specifications
2-1	Operational Temperature	-55°C ~ +125°C
2-2	Storage Temperature	-55°C ~ +125°C

3. Outline Drawing

ID	Items	Specifications
3-1	Outline Drawing	Unit: mm
Tolerances:±0.1mm		
		
3-2	Material	Stainless Steel
3-3	Finish	Passivation
3-4	Weight	5g

NOTE: ALL SPECIFICATIONS ARE SUBJECT TO CHANGE WITHOUT NOTICE AT ANY TIME.