

HX12KG1481G High-Power SPDT Switch

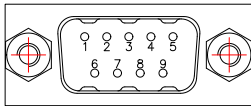
1. Description

ID	Items	Specifications
1-1	Type	Reflective High-Power SPDT Switch
1-2	Frequency Range	0.9 ~ 2.1GHz
1-3	Isolation	≥50dB
1-4	Insertion Loss	≤0.6dB@1 ~ 1.8GHz ≤1dB@1.8 ~ 2.1GHz
1-5	VSWR	≤1.5
1-6	Impedance	50Ω
1-7	RF Input Power	4000W Pulsed, DC=10%, PW=100us
1-8	0.1dB Compression point	/
1-9	Second Harmonic	≥50dBc
1-10	Switching Speed	≤3us
1-11	Input/Output Connectors	N-F
1-12	Control Connectors	DB9-male
1-13	Control	TTL=0 ~ 0.8V/3.3 ~ 5V
1-14	DC Power Supply	12~28V/≤60mA

2. Environmental Specifications

ID	Items	Specifications
2-1	Operational Temperature	-40°C ~ +70°C
2-2	Storage Temperature	-55°C ~ +85°C

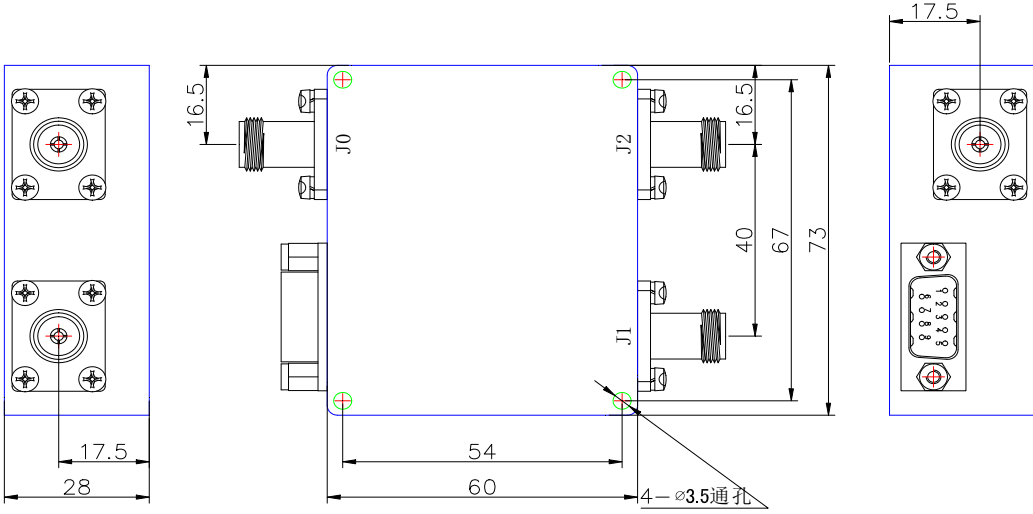
3. interface

ID	Items	Specifications
3-1	Control Connectors	DB9-male
		
3-2	NO	Specifications
	1-2	12~28V
	3	TTL
	4-9	GND

4. Truth Table

ID	TTL	Signal Path State
4-1	0	J0→J1
	1	J0→J2

5. Outline Drawing

ID	Items	Specifications
5-1	Outline Drawing	Unit: mm
<p>Tolerances:±0.1mm</p>  <p>The drawing includes the following dimensions and labels:</p> <ul style="list-style-type: none"> Top-left detail: 17.5 (width), 28 (total width) Top-right detail: 17.5 (width) Main side view: 16.5 (top offset), 40 (middle offset), 67 (total height), 73 (total height including base) Bottom-left offset: 54 Bottom-right offset: 60 Bottom-right note: 4-∅3.5通孔 (4 holes of diameter 3.5) Labels: J0, J1, J2 		
5-2	Material	Aluminum
5-3	Finish	Natural Color
5-4	Weight	/

NOTE: ALL SPECIFICATIONS ARE SUBJECT TO CHANGE WITHOUT NOTICE AT ANY TIME.