

# HX12KG3073G High-Power SPDT Switch

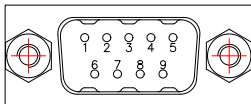
## 1. Description

ID	Items	Specifications
1-1	Type	Reflective High-Power SPDT Switch
1-2	Frequency Range	30~520MHz
1-3	Isolation	≥60dB
1-4	Insertion Loss	≤0.4dB
1-5	VSWR	≤1.4
1-6	Impedance	50Ω
1-7	RF Input Power	500W CW
1-8	Switching Speed	≤5μs
1-9	Second Harmonic	≥50dBc
1-10	Input/Output Connectors	SMA-F
1-11	Control Connectors	DB9-male
1-12	Control	TTL=0 ~ 0.8V/3.3 ~ 5V
1-13	DC Power Supply	12~24V/≤200mA

## 2. Environmental Specifications

ID	Items	Specifications
2-1	Operational Temperature	-40°C ~ +70°C
2-2	Storage Temperature	-55°C ~ +85°C

## 3. Interface

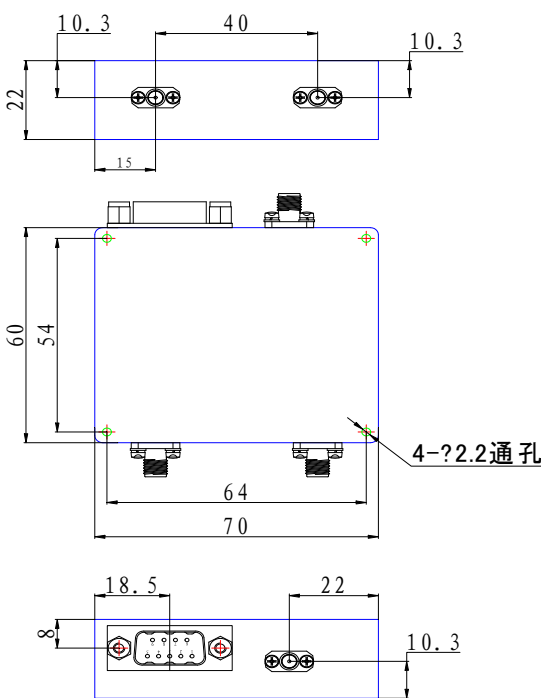
ID	Items	Specifications
3-1	Control Connectors	DB9-male
		
3-2	<b>NO</b>	<b>Specifications</b>
	1-2	12~24V
	3	TTL
	4-9	GND

## 4. Truth Table

ID	TTL	Signal Path State
4-1	0	J0→J1
	1	J0→J2

## 5. Outline Drawing

ID	Items	Specifications
----	-------	----------------

5-1	Outline Drawing	Unit: mm
<p>Tolerances:±0.1mm</p> 		
5-2	Material	Aluminum
5-3	Finish	Natural Color
5-4	Weight	/

NOTE: ALL SPECIFICATIONS ARE SUBJECT TO CHANGE WITHOUT NOTICE AT ANY TIME.