

HX12KG2572G SPDT Switch

1. Description

ID	Items	Specifications
1-1	Type	Absorptive SPDT Switch
1-2	Frequency Range	DC ~ 8GHz
1-3	Isolation	≥60dB@DC ~ 1GHz ≥50dB@1GHz ~ 3GHz ≥40dB@3GHz ~ 8GHz
1-4	Insertion Loss	≤2dB@300KHz ~ 1GHz ≤2.5dB@1GHz ~ 3GHz ≤3.5dB@3GHz ~ 6GHz ≤4.0dB@6GHz ~ 8GHz
1-5	VSWR	≤1.5
1-6	Impedance	50Ω
1-7	RF Input Power	1W
1-8	Switching Speed	≤300ns
1-9	Input/Output Connectors	SMA-F
1-10	Control Connectors	Φ0.8mm Glass Bead
1-11	Control	TTL=0 ~ 0.8V/3.3 ~ 5V
1-12	DC Power Supply	+5V/≤200mA

2. Environmental Specifications

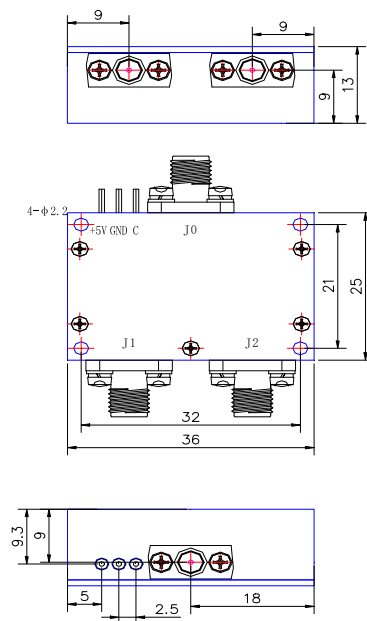
ID	Items	Specifications
2-1	Operational Temperature	-40°C ~ +70°C
2-2	Storage Temperature	-55°C ~ +85°C

3. Truth Table

ID	C	Signal Path State
3-1	0	J0→J1
	1	J0→J2

4. Outline Drawing

ID	Items	Specifications
4-1	Outline Drawing	Unit: mm
Tolerances:±0.1mm		



4-2	Material	Aluminum
4-3	Finish	Nickel Plated
4-4	Weight	30g

NOTE: ALL SPECIFICATIONS ARE SUBJECT TO CHANGE WITHOUT NOTICE AT ANY TIME.