

# HX14KG1091G SP4T Switch

## 1. Description

ID	Items	Specifications
1-1	Type	Absorptive SP4T Switch
1-2	Frequency Range	50MHz ~ 20GHz
1-3	Isolation	≥85dB@DC ~ 6GHz ≥80dB@6GHz ~ 12GHz ≥70dB@12GHz ~ 20GHz
1-4	Insertion Loss	≤2.8dB@DC ~ 6GHz ≤3.0dB@6GHz ~ 12GHz ≤4.0dB@12GHz ~ 20GHz
1-5	VSWR	≤1.8
1-6	Impedance	50Ω
1-7	RF Input Power	23dBm
1-8	Switching Speed	≤100ns
1-9	Input/Output Connectors	SMA-F
1-10	Control Connectors	Φ0.8mm Glass Bead
1-11	Control	TTL=0 ~ 0.8V/3.3 ~ 5V
1-12	DC Power Supply	+5V/≤20mA

## 2. Environmental Specifications

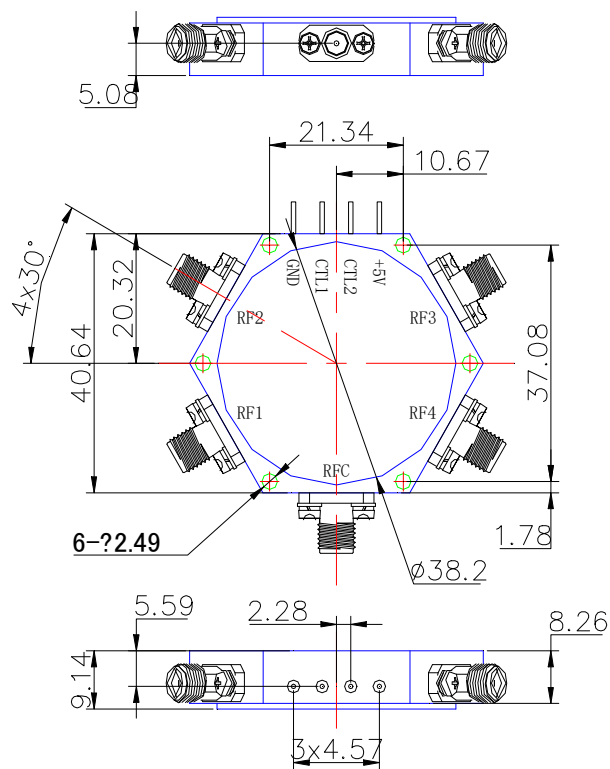
ID	Items	Specifications
2-1	Operational Temperature	-40°C ~ +70°C
2-2	Storage Temperature	-55°C ~ +85°C

## 3. Truth Table

ID	CTL2	CTL1	Signal Path State
3-1	0	0	J0→J1
	0	1	J0→J2
	1	0	J0→J3
	1	1	J0→J4

## 4. Outline Drawing

ID	Items	Specifications
4-1	Outline Drawing	Unit: mm
Tolerances:±0.1mm		



4-2	Material	Aluminum
4-3	Finish	Natural Color
4-4	Weight	50g

NOTE: ALL SPECIFICATIONS ARE SUBJECT TO CHANGE WITHOUT NOTICE AT ANY TIME.