

HXSP2T2091G SPDT Switch

1. Description

ID	Items	Specifications
1-1	Type	Absorptive SPDT Switch
1-2	Frequency Range	0.4GHz ~ 40GHz
1-3	Isolation	≥60dB
1-4	Insertion Loss	≤2.0dB@0.4GHz~6GHz Typical ≤4.0dB@6GHz~18GHz Typical ≤6.5dB@18GHz~40GHz Typical
1-5	VSWR	≤2.5
1-6	Impedance	50Ω
1-7	RF Input Power	23dBm
1-8	Switching Speed	≤200ns
1-9	Input/Output Connectors	2.92mm-F
1-10	Control Connectors	Φ0.8mm Glass Insulator
1-11	Control	TTL=0V/3.3V ~ 5V
1-12	DC Power Supply	+5V/≤100mA

2. Environmental Specifications

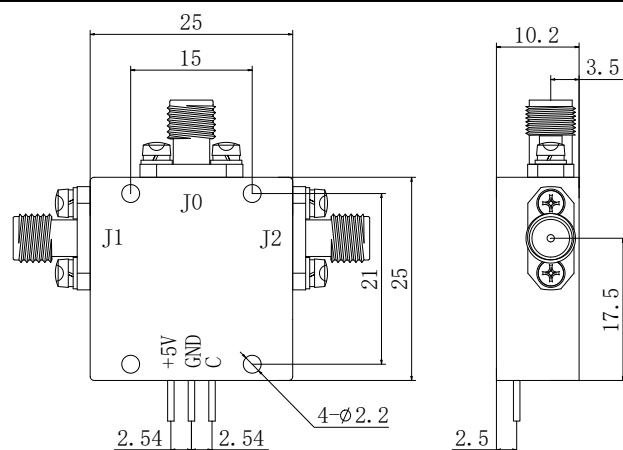
ID	Items	Specifications
2-1	Operational Temperature	-40℃ ~ +70℃
2-2	Storage Temperature	-55℃ ~ +85℃

3. Truth Table

ID	C	Signal Path State
3-1	0	J0-J1
	1	J0-J2

4. Outline Drawing

ID	Items	Specifications
4-1	Outline Drawing	Unit: mm
Tolerances:±0.2mm		



4-2	Material	Aluminum
4-3	Finish	Nickel Plated
4-4	Weight	30g

5. Note

5-1	Should be take the ESD protection during use.
5-2	Exceeding the rated input power limit may cause the product to burn out.
5-3	Avoid using in extreme temperature, humidity, or corrosive environments.
5-4	Good grounding can reduce EMI and RFI.
5-5	All specifications are subject to change without notice at any time.